



## PRODUCT DESCRIPTION

FLF Series is the ideal choice for marine and hazardous applications requiring a linear design. Its rugged construction withstands strong vibrations, saltwater, corrosive elements and hazardous environments while the streamlined design sheds water. It can be mounted on ceilings or walls using a pair of stainless steel mounting brackets. It is designed for use in hazardous locations and flammable buildings that require UL rated fixtures. It is constructed of non-sparking materials for protection in flammable work sites and highly resistant to rough impacts.

## APPLICATION

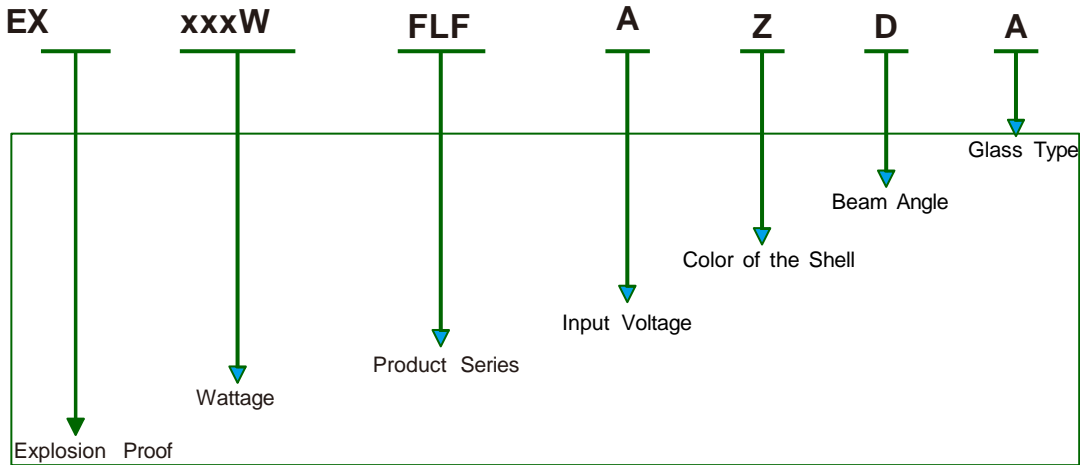
Suggested Applications: Petrochemical facilities, lubrication pits, oil drilling rigs, crew quarters, solvent/cleaning areas, water treatment areas, processing plants, marine loading docks, shipyards, ports and more.

## FEATURES

- Five year warranty;
- Available in 5 lengths;
- Smooth housing for easy cleaning;
- Standard ambient -40°C--+55°C(T5);
- CCT: 2700K-7000K;
- Class 1, Division 2, Groups A, B, C, & D;
- LED Hazardous Location Enclosed and Gasketed;
- Available in 40°/60°/90° angle's light distribution;
- Long life 50,000 hours LEDs for reduced maintenance.



## ORDERING GUIDE

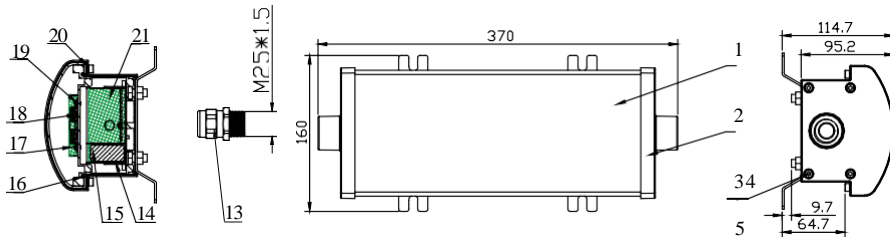


## SPECIFICATIONS

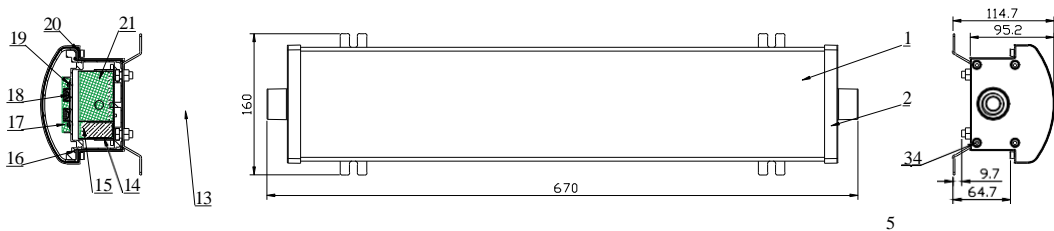
Model	Wattage	Color Temperature	Voltage	Efficiency	Other Rating	CRI	Emergency Time
EX-xxxW-FLF1 AZDA	10W/20W/30W	2700K- 7000K	AC120- 277V, 50/60Hz	120-140 Lm/W	IP66	80	>1.5 Hour
EX-xxxW-FLF2 AZDA	10W/20W/30W/40W/50W						
EX-xxxW-FLF3 AZDA	10W/20W/30W/40W/50W/60W/70 W						
EX-xxxW-FLF4 AZDA	10W/20W/30W/40W/50W/60W/70 W/80W						
EX-xxxW-FLF5 AZDA	10W/20W/30W/40W/50W/60W/70 W/80W/90W/100W						

**DIMENSIONS (mm)**

**FLF 1**

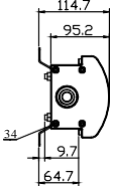
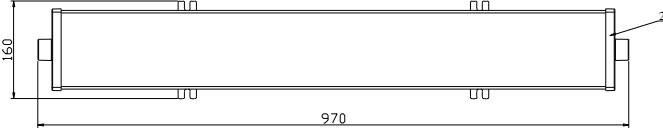
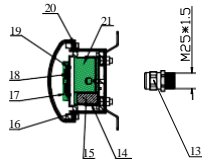


**FLF 2**

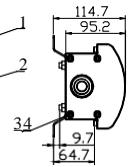
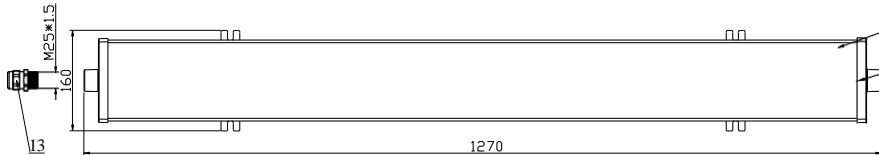
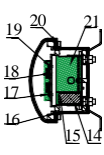




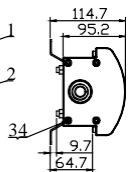
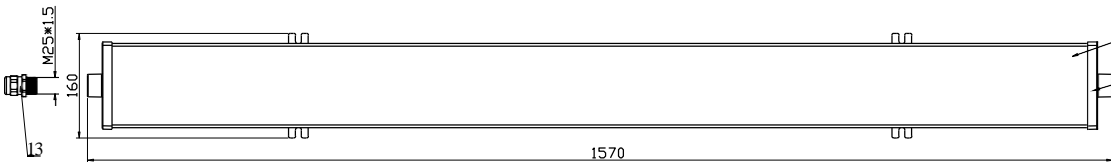
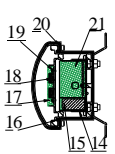
**FLF 3**



**FLF 4**

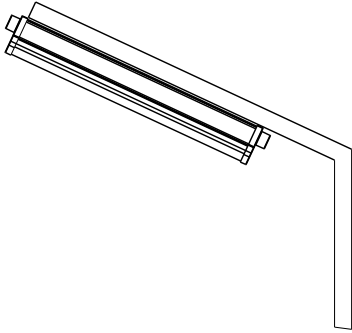


**FLF 5**



## MOUNTING

Pole Mounting



Hook Mounting



Wall Mounting

