



APPLICATIONS

Oil and Gas industry

- All petroleum production and refining
- Petroleum loading and transportation
- Petroleum storage and retail
- LNG industry
- All mining operations and service

Chemical industry

- All types of paint facilities
- Chemical production and storage

Ocean, marine and aerospace field

- Ocean platform operation facilities and structure
- Aerospace clean room and production
- Ocean vessel operations

Metal treatment

- Steel and aluminum factories
- Pumping stations in any environment
- Metal smelting, foundry and fabrication

Food and alcohol industry

- Flour and fine particle production and storage
- Food and distilling production
- Alcohol industry

**Other high humidity, high dust,
high temperature, vapor locations**

FEATURES

- Working Temperature: -40°C ~ +60°C.
IECEX: -40°C ~ +80°C.
- High quality SMT LED and Meanwell Driver.
- Light-weight design by aircraft aluminum.
- Heavy-duty and high impact resistance.
- Three connection cable entry points.
- Replaceable LED board and drivers.
- Integrated junction box for driver with emergency back up.
- Dimmable and battery back up function available.
- Marine rating powder coated appearance treatment.
- Up to 5 years limited warranty option.
- Emergency Battery back up to three hours.
- Various installation ways for different applications.
- Glass lens or Glass with polycarbonate lens to make bigger beam angle.

MATERIALS

- Housing: Die casting Aluminum
- Lens: Tempered glass
- Hardware: stainless steel
- Mounting Bracket: stainless steel

EXPLOSION PROTECTION

Marking ATEX

II 2 G Ex db IIB T6...T3 Gb

II 2 D Ex tb IIIC T80°C...T195°C Db IP66

Marking IECEx

Ex db IIB T6...T3 Gb

Ex tb IIIC T80°C...T195°C Db IP66

Marking UI844 (North American)

Class I, Division 1, Groups C, D

Class I, Division 2, Groups

A, B, C, D Class II, Division 1, Groups

E, F, G Class II, Division 2, Groups

F, G Class III

Marine Marking UL 1598A

ABS

Other Rating IP 66

IK 10

SPECIFICATION

Model	Wattage	Color Temperature	Voltage	Lumens	Warranty	CRI
EX-20W C2YZDA	20W	2200K-7000K	AC100-277V Or AC200-488V Or DC12-48V	2600	5 years	80
EX-60W C2YZDA	60W			7800		
EX-80W C2YZDA	80W			10400		
EX-100W CYZDA	100W			14000		
EX-150W CYZDA	150W			21000		
EX-200W C3YZDA	200W			28000		
EX-250W C3YZDA	250W			35000		
EX-280W C3YZDA	280W			39200		

“C,C2,C3”=Product code, “Y”=D or N:Dimmable or non-dimmable “Z”=CCT, from 2200-7000K

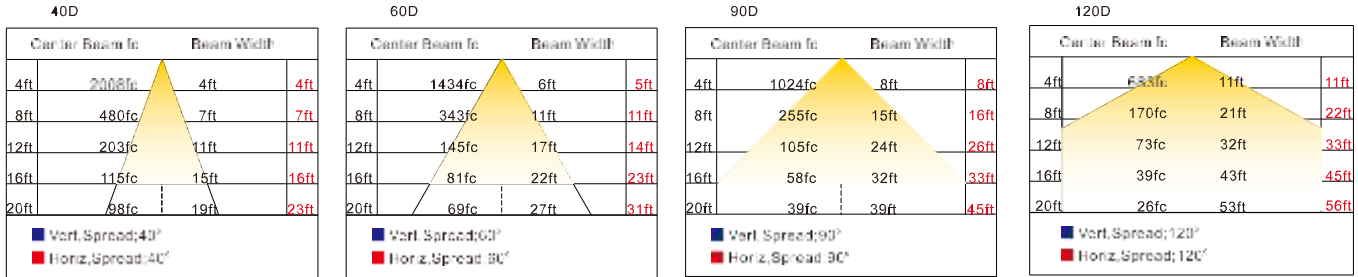
“D”=Beam angle, D40 for 40°, D60 for 60°, D90 for 90°, D120 for 120°

A for glass info. blank for flat glass, C for spherical glass.

PACKING INFORMATION

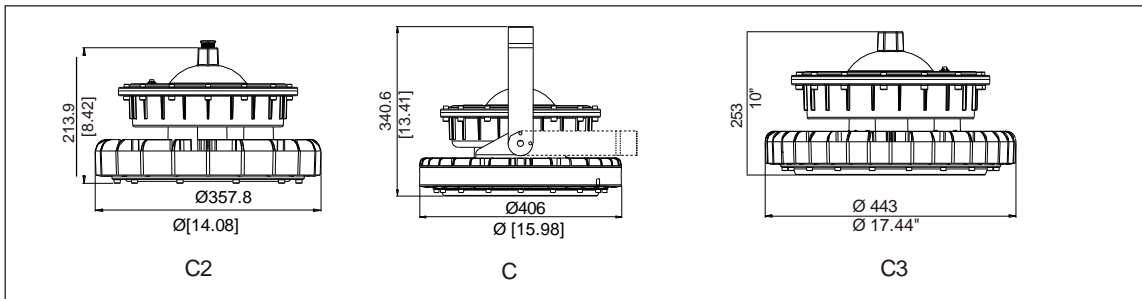
Model	Quantity/Carton	Length(cm)	Width(cm)	Height(cm)	Net weight(kg)	Gross weight(kg)
C	1	55	52	36	17.4	19
C2	1	47	47	34.5	14	16
C3	1	55.5	55.5	34.5	21	25

LIGHT DISTRIBUTION



DIMENSION

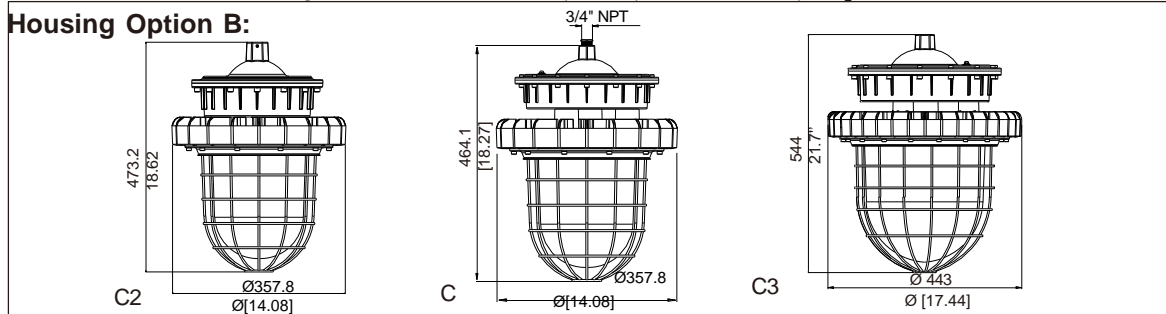
Housing Option A: Bracket and Flat Glass Lens



This structure type with bracket, flat glass and optics lens generates 40°, 60°, 90° and 120° light distribution.

1, Bracket, Global Glass Lens, Wireguard and flat LED module. 2, Bracket, Global Glass Lens, Wireguard and LED corn bulb.

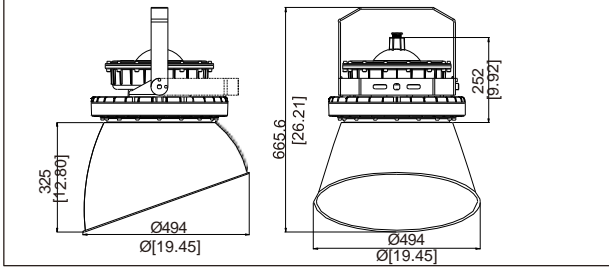
Housing Option B:



This structure type with bracket, global glass lens and wireguard generates 180° light distribution. We also can put corn bulb in the global glass lens to make this beam angle up to 360°.

Housing Option C

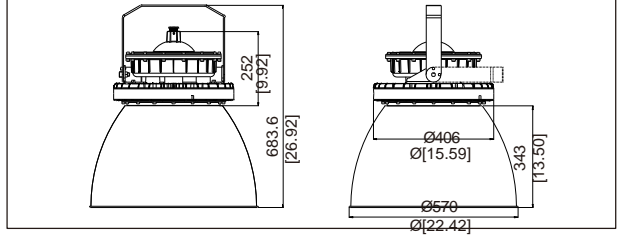
1, Bracket, Global Glass Lens, flat LED module and 30° cut off lampshade.



This structure can make the lighting distribution more concentrated for special beam angle.

Housing Option D

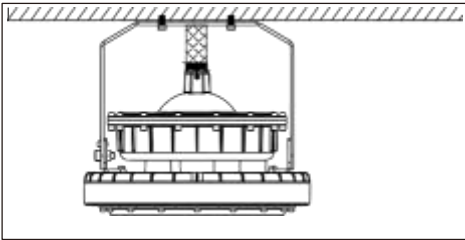
1, Bracket, Global Glass Lens, flat LED module and lampshade.
2, Bracket, Global Glass Lens, LED corn bulb and lampshade.



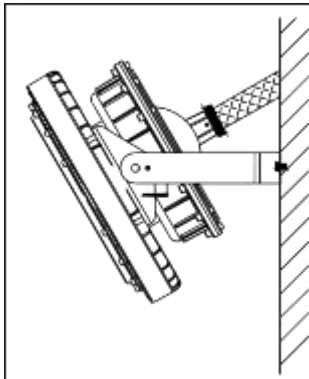
This structure can make the lighting distribution more concentrated.

MOUNTING

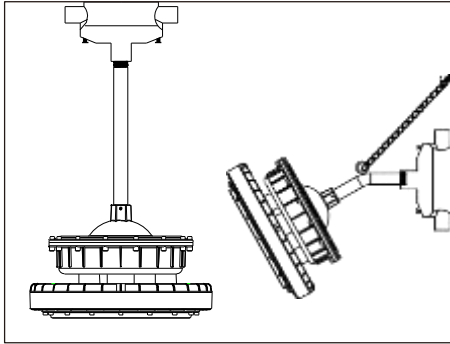
No.1: Ceiling Mounting



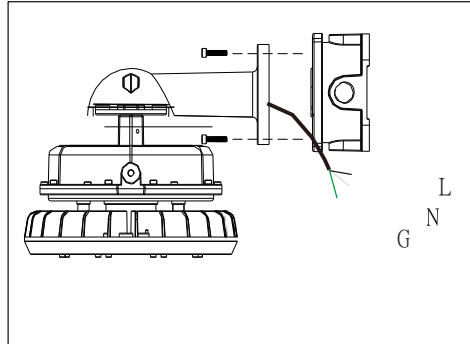
No.2: Wall Mounting



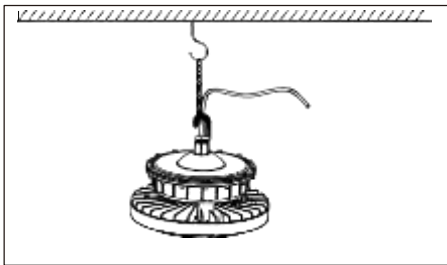
No.3: Pole Mounting



No.5: Wall Mounting to Junction Box



No.4: Hook Pendant Mounting



ACCESSORIES



- Model: Ex-Junction01
Name: Junction Box
Material: Aircraft Aluminum A383



- Model: EX-Hook
Name: Installation Hook
Material: Aircraft Aluminum A383



- Model: Ex-Conduit01
Name: Metal Conduit
Material: Stainless Steel and Aluminum



- Model: EX-WPipe
Name: Winding Swing Pipe
Material: Iron with Power Coating



- Model: EX-SPipe
Name: Winding Swing Pipe
Material: Iron with Power Coating



- Model: Ex-D01
Name: Pendant Direction Adapter
Material: Aircraft Aluminum A383



- Model: EX-MArm
Name: Surface Mounting Arm
Material: Aircraft Aluminum A383



- Model: EX-25PSupport
Name: 25 Degree Pole Support
Material: Aircraft Aluminum A383



- Model: EX-90PSupport
Name: 90 Degree Pole Support
Material: Aircraft Aluminum A383



- Model: Ex-90JSupport
Name: 90° Arm to Junction box
Material: Aircraft Aluminum A383



- Model: EX-25JSupport
Name: 25° Arm to Junction box
Material: Aircraft Aluminum A383



- Model: Ex-DArm
Name: Direct Mounting Arm
Material: Aircraft Aluminum A383