



FEATURES

1. Hollow out heat sink design makes the lamp lighter and better at heat dissipation
2. High Lumen SMD3030 Led Chip
3. Snap-in power cover, easier and faster to install
4. High efficient light with significant energy and cost savings
5. Varieties of installation fittings for different applications
6. Light distribution: Type III IV V

Tool-free LED Driver Replacement

Independent driver board easy
Replacement

Bubble Level

The level instrument accurate the installation of lamps in one minute.

With Buckle

Open the cover free-tool, Fixed driver box with 90 degree adjusted.

Intelligent

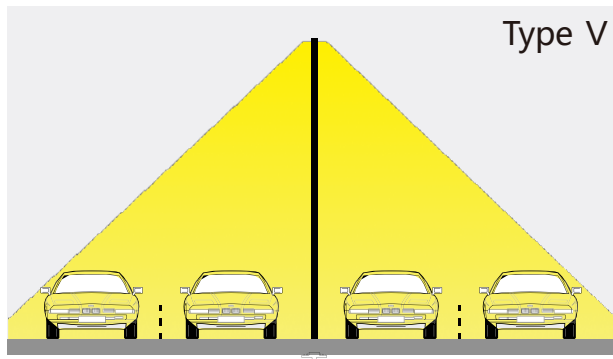
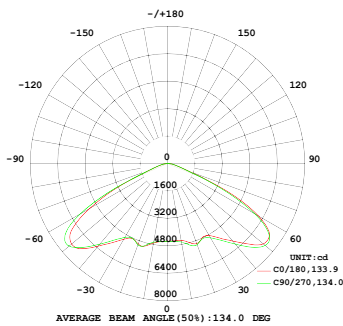
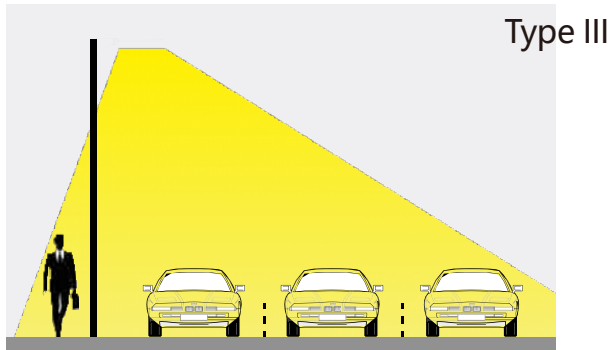
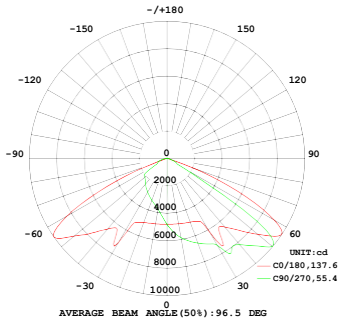
- 0-10V Dimming
- Timer Control
- DALI Control
- Photocell
- Occupancy sensor



APPLICATION

Widely use in high pole parking lot area, car park, roadway, pathway square, stadium, amusement, residential area, yard, industrial area and etc.

LIGHT DISTRIBUTION



PACKING INFO

Model No.	N.G(KG)	G.W (KG)	Pcs/carton	Carton Size(CM)
HS-PL100W-B	5.25	11.9	2	71*40*24
HS-PL150W-B	6.35	13	2	83*40*24
HS-PL200W-B	6.5	14.5	2	83*40*24
HS-PL250W-B	6.85	17.6	2	94*41*24
HS-PL300W-B	7	18	2	94*41*24

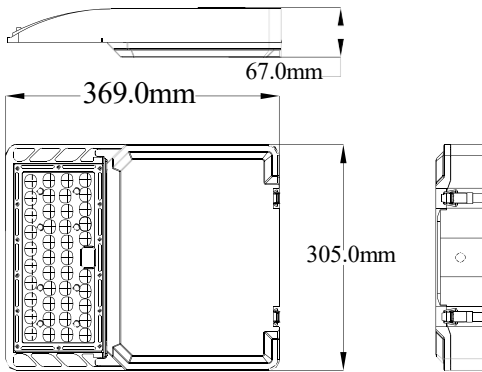
100W

SPECIFICATIONS

Technical Data

Model Number	HS-PL100W-B
Power	100W
Luminous Efficacy	150lm/W
Lumen Output	15000lm
LED Quantity	144pcs
Dimension	369*305*67mm
CCT	3000K-6000K (Custom Option)
CRI	>80Ra
System Efficiency	≥90%
Lens	Type III, Type IV, Type V

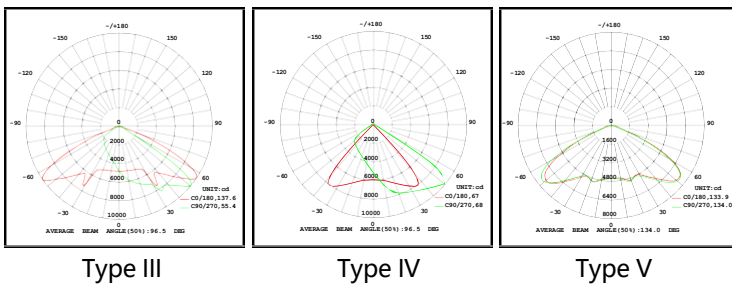
Product Dimension



Electrical Details

Input Voltage	AC100-277V/347V/480V
Power Frequency	50-60Hz
Output Voltage	DC36-48V
Power Efficiency	>92%
Power Factor	≥0.95
Total Harmonic Distortion	≤15%
Dimmable	Yes (Optional)

Photometrics



Other Details

IP Rating	IP67
Lifespan	100,000+ Hours
Storage Temperature	-20°~65°C
Operating Temperature	-20°~55°C
Luminaire Net Weight	5.25KG
Certification	UL, DLC Premium, SAA, TUV, VE ET, CB
Color of housing	Brown(customized)

150W

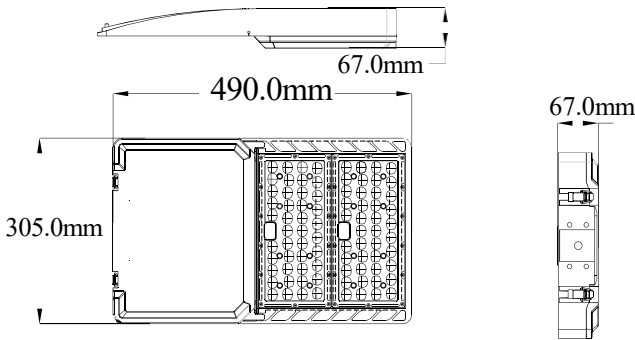
SPECIFICATIONS

Technical Data

Model Number	HS-PL150W-B
Power	150W
Luminous Efficacy	150lm/W
Lumen Output	22500lm
LED Quantity	288pcs
Dimension	490*305*67mm
CCT	3000K-6000K (Custom Option)
CRI	>80Ra
System Efficiency	≥90%
Lens	Type III, Type IV, Type V



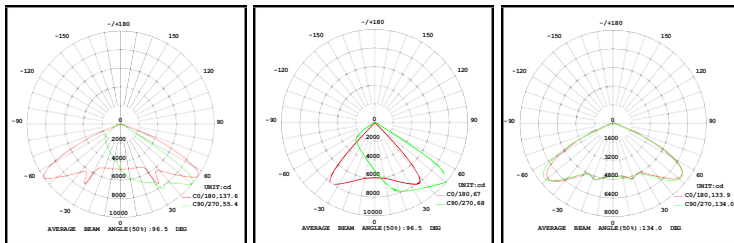
Product Dimensions



Electrical Details

Input Voltage	AC100-277V/347V/480V
Power Frequency	50-60Hz
Output Voltage	DC36-48V
Power Efficiency	>92%
Power Factor	≥0.95
Total Harmonic Distortion	≤15%
Dimmable	Yes (Optional)

Photometrics



Type III

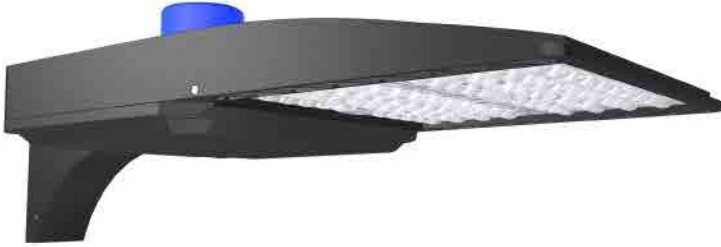
Type IV

Type V

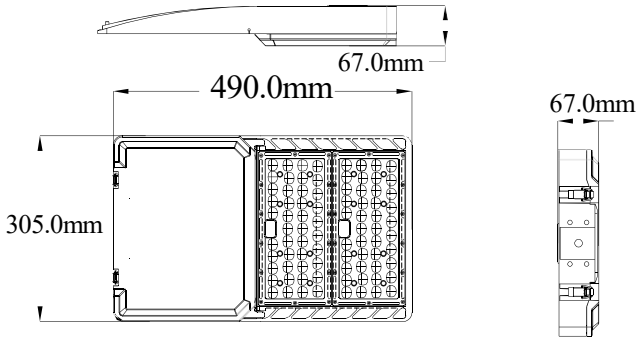
Other Details

IP Rating	IP67
Lifespan	100,000+ Hours
Storage Temperature	-20°~65°C
Operating Temperature	-20°~55°C
Luminaire Net Weight	6.35KG
Certification	UL, DLC Premium, SAA, TUV, VEET, C B
Color of housing	Brown(customized)

200W SPECIFICATIONS



Product Dimension



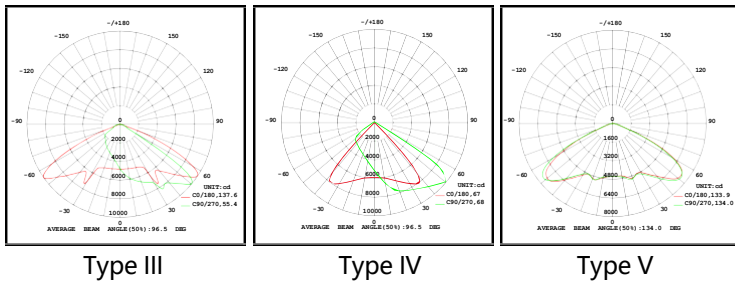
Technical Data

Model Number	HS-PL200W-B
Power	200W
Luminous Efficacy	150lm/W
Lumen Output	30000lm
LED Quantity	288pcs
Dimension	490*305*67mm
CCT	3000K-6000K (Custom Option)
CRI	>80Ra
System Efficiency	≥90%
Lens	Type III, Type IV, Type V

Electrical Details

Input Voltage	AC100-277V/347V/480V
Power Frequency	50-60Hz
Output Voltage	DC36-48V
Power Efficiency	>92%
Power Factor	≥0.95
Total Harmonic Distortion	≤15%
Dimmable	Yes (Optional)

Photometrics



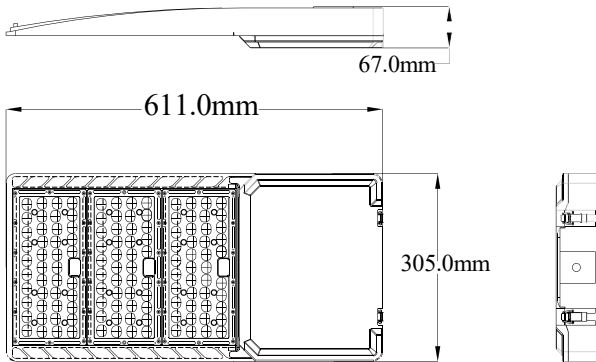
Other Details

IP Rating	IP67
Lifespan	100,000+ Hours
Storage Temperature	-20°~65°C
Operating Temperature	-20°~55°C
Luminaire Net Weight	6.5KG
Certification	UL, DLC Premium, SAA, TUV, VEET, CB
Color of housing	Brown(customized)

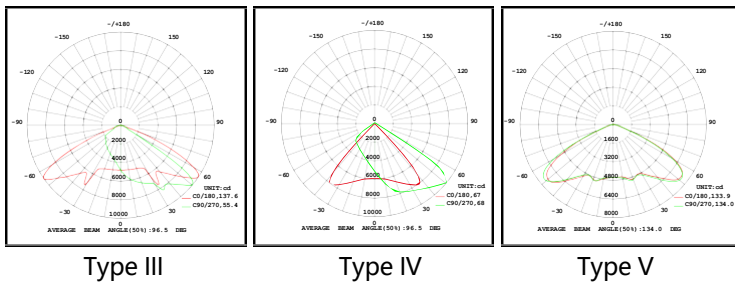
250W SPECIFICATIONS



Product Dimension



Photometrics



Technical Data

Model Number	HS-PL250W-B
Power	250W
Luminous Efficacy	150lm/W
Lumen Output	37500lm
LED Quantity	432pcs
Dimension	611*305*67mm
CCT	3000K-6000K (Custom Option)
CRI	>80Ra
System Efficiency	≥90%
Lens	Type III, Type IV, Type V

Electrical Details

Input Voltage	AC100-277V/347V/480V
Power Frequency	50-60Hz
Output Voltage	DC36-48V
Power Efficiency	>92%
Power Factor	≥0.95
Total Harmonic Distortion	≤15%
Dimmable	Yes (Optional)

Other Details

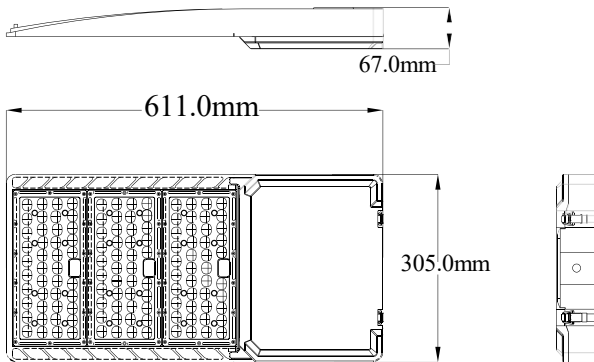
IP Rating	IP67
Lifespan	100,000+ Hours
Storage Temperature	-20°~65°C
Operating Temperature	-20°~55°C
Luminaire Net Weight	6.85KG
Certification	UL, DLC Premium, SAA, TUV, VEET , CB
Color of housing	Brown(customized)

300W

SPECIFICATIONS



Product Dimension



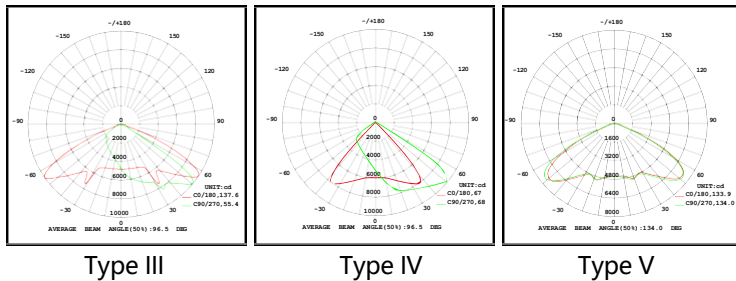
Technical Data

Model Number	HS-PL300W-B
Power	300W
Luminous Efficacy	150lm/W
Lumen Output	45000lm
LED Quantity	432pcs
Dimension	611*305*67mm
CCT	3000K-6000K (Custom Option)
CRI	>80Ra
System Efficiency	≥90%
Lens	Type III, Type IV, Type V

Electrical Details

Input Voltage	AC100-277V/347V/480V
Power Frequency	50-60Hz
Output Voltage	DC36-48V
Power Efficiency	>92%
Power Factor	≥0.95
Total Harmonic Distortion	≤15%
Dimmable	Yes (Optional)

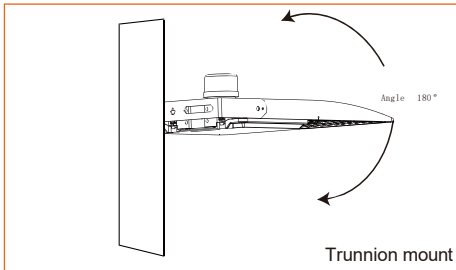
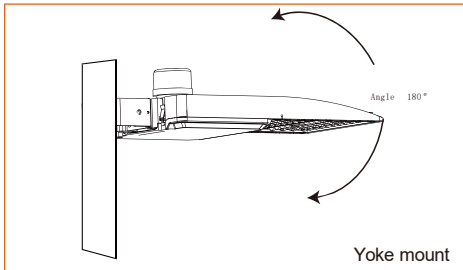
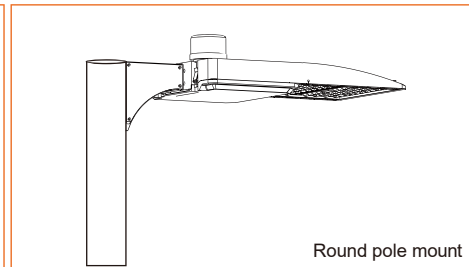
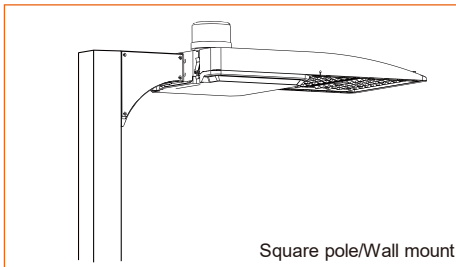
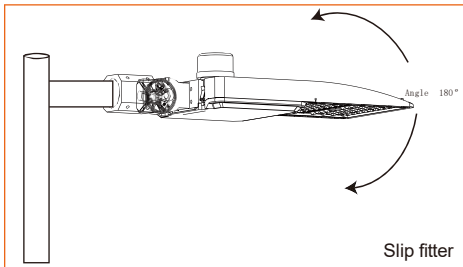
Photometrics



Other Details

IP Rating	IP67
Lifespan	100,000+ Hours
Storage Temperature	-20°~65°C
Operating Temperature	-20°~55°C
Luminaire Net Weight	7KG
Certification	UL, DLC Premium, SAA, TUV, VEET, CB
Color of housing	Brown(customized)

INSTALLATION



PACKING INFO

Model No.	N.G(KG)	G.W (KG)	Pcs/carton	Carton Size(CM)
HS-PL100W-B	5.25	11.9	2	71*40*24
HS-PL150W-B	6.35	13	2	83*40*24
HS-PL200W-B	6.5	14.5	2	83*40*24
HS-PL250W-B	6.85	17.6	2	94*41*24
HS-PL300W-B	7	18	2	94*41*24