

APPLICATIONS

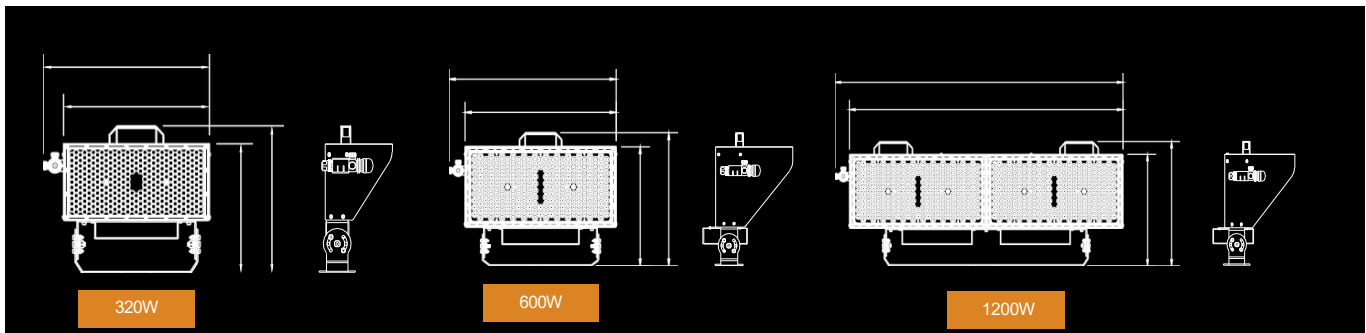
Highways, outdoor/ indoor sport fields

-Football fields, baseball fields,
basketball fields volleyball fields,
tennis court, Hockey fields, airport,
seaport, etc.

FEATURES

- High lumen efficacy 140lm/w, energy saving 30%.
- Using high quality aluminum material with better heat dissipation, compression and corrosion resistance.
- Lightweight design with high brightness and low light attenuation.
- Multiple beam angle 10°/15°/ 25°/30°/ 45°/ 60°/90°/asymmetric100°X150° for options.
- Waterproof IP65,high thermal conductivity housing.
- Intelligent Zigbee controller, supports wireless on/off, dimming, color conversion, grouping remote control, DMX512.

PRODUCT SIZE

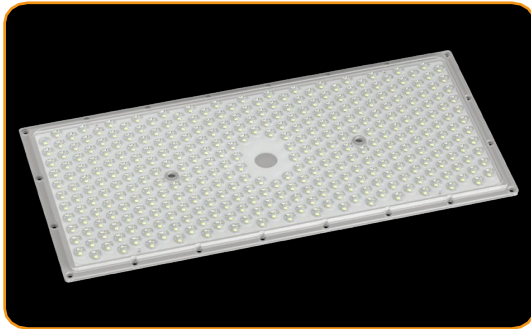


PRODUCT PARAMETER

Part Number	HS-HM320W-D	HS-HM600W-D	HS-HM1200W-D
Input Power	320W	600W	1200W
Lumen Output	44800lm	84000lm	168000lm
LED Chip	Lumileds 3030	Lumileds 3030	Lumileds 3030
Luminous Efficacy	140LM/W	140LM/W	140LM/W
LED Quantity	344pcs	920pcs	1840pcs
CCT		3000K-6500K	
Input Voltage		AC100-277V/347V/480V, 50/60Hz	
CRI		≥80	
PF		>0.92	
Beam Angle 10°/25°/45°/60°/90°/asymmetric100°X150°		15°/30°/45°/60°	15°/30°/45°/60°
IP Rating		IP65	
Working Temperature		-30°C to 55°C	
Warranty		5 years	
Lifespan		>50,000hrs	
Material		Aluminum housing+PC lens	
Certification		UL,DLC Premium,SAA,TUV,VEET,CB	
Dimensions(MM)	370 L x 185 W x 340 H	490 L x 300 W x 390 H	980 L x 300 W x 400 H
N.G(KG)	6.8kg	12.7kg	25kg
G.W (KG)	7.2kg	13.2kg	26kg
Package Size(MM)	420 L x 390 W x 250 H	540 L x440 W x 360 H	1020 L x 480 W x 360 H
Pcs/carton		1pc	

Various Beam Angle

Multiple options 10°/15°/25°/30°/ 45°/60°/90° /asymmetric100°X150°



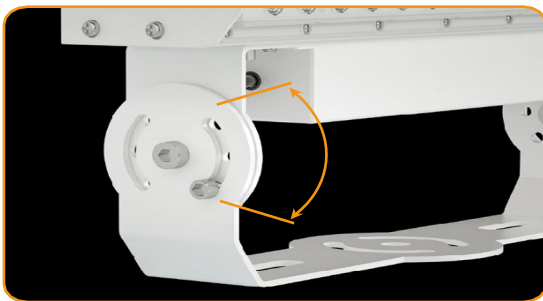
Laser Aimer

Quickly adjust installation range to labor cost minimize



Installation support

Adjustable U-Bracket

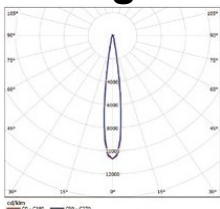


Hood

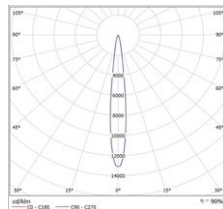
Avoiding the light spilling up and side protecting both people and environment



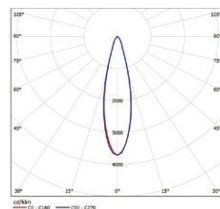
Beam angle



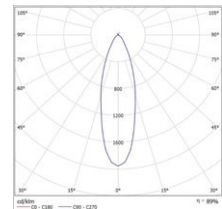
10°



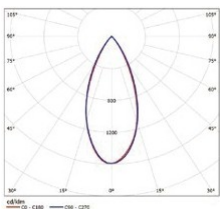
15°



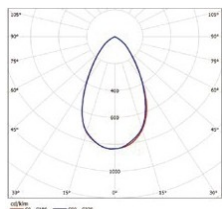
25°



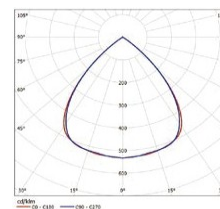
35°



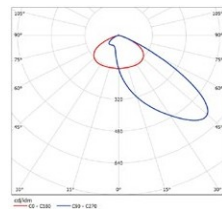
45°



60°



90°



asymmetric100°X150°